



CUSTOM MILLWORK SOLUTIONS

Mantels · Mantel Shelves & Surrounds · Boot Benches · Cubbies · Bookcases



101 West Main Street, Kirkland, IL 60146

847-403-3310

www.HinesSupply.com

CUSTOM MILLWORK SOLUTIONS

Hines Supply has been manufacturing top quality interior and exterior mouldings and millwork since 1892 and is the leading supplier to professional builders, remodelers and architects in the Chicagoland's market. Our high-quality, custom creations include mantels, cubbies, boot benches, bookcases, as well as other decorative components and specialty items.

With a state-of-the-art facility we can create any type or style of millwork with consistent quality. We feature hundreds of architectural profiles and also have the capabilities to replicate any product to your exact specifications. We work with only the finest hardwoods to ensure beautiful, long-lasting pieces and are proud to be featured in some of the finest homes in the area.

We've built our reputation on taking the details seriously—the details that add value to your projects and set you apart from the rest. You can count on our attention to detail, craftsmanship and an unwavering dedication to customer satisfaction from concept to creation.



Kirkland Mill • 847-403-3310
101 West Main Street
Kirkland, IL 60146
www.HinesSupply.com

Let Hines build some custom features for your home!

Working with the craftsmen in our Millwork Shop means unlimited options for you. We can build your high-end, custom pieces out of Oak, Pine or Poplar and ready for your choice of finish. We ensure accurate and consistent millwork to your exact specifications. Whether you are looking for inspiration and design solutions or already have a vision, our team of experts can help integrate functionality and fashion into any new construction or remodeling project.

MANTELS, SURROUNDS & SHELVING

One of the benefits of working with the pro's in the Hines Millwork Shop is our capability to craft mantels, surrounds and shelving to your exact specs and needs. In addition to our custom capabilities, we also have an extensive library of stylish designs to choose from, creating a focal point for any room in the home.

BOOT BENCHES

The classic boot bench is the perfect piece of furniture to bring style, seating and storage to your entryway or mudroom.

CUBBIES

Cubbies are an attractive, organization option to help keep your home clutter free. We can craft tall, wall or custom cubbies, with your choice of material, color, depth, height, width and number of shelves. We create storage solutions built around your families lifestyle and needs.

BOOKCASES

Make a statement with our custom crafted bookcases. Our craftsman can product the perfect fitting centerpiece for family rooms, bedrooms, dens, home offices and more.

MUDROOM PANELING

Add the finishing touch to any mudroom or entryway with beadboard panel. We can customize the paneling to match any interior décor with floor to ceiling coverage.

The Trusted Resource for Building Your Business.

Hines Millwork
www.HinesSupply.com



Kirkland Mill • 847-403-3310
101 West Main Street
Kirkland, IL 60146
www.HinesSupply.com

Table of Contents

MANTEL SHELVES

Page 1 - The “Northwest” | The “Southwest” | The “Savanna”
Page 2 - The “Plantation” | The “Auburn” | The “Shakerton”

MANTELS/SURROUNDS

Page 3 – The “Classic”
Page 4 – The “Kirkland”
Page 5 – The “Sterling”
Page 6 – The “Southwest”
Page 7 – The “Plantation”
Page 8 – The “Shakerton”
Page 9 – The “Belle”

BOOT BENCHES

Page 10 – Up to 48” in Width, Single Panel
Page 11 – Up to 60” in Width, Double Panel
Page 12 – Up to 72” in Width, Triple Panel

CUBBIES

Page 13 – Double “Cubby” Box
Page 14 – Locker Style w/ Adjustable Shelf Bay
Page 15 – Locker Style
Page 16 – Locker Style w/ Arched Head

BOOKCASES

Page 17 – Single Bay Bookcase, Up to 36”
Page 18 – Double Bay Bookcase, Up to 64”
Page 19 – Bookcase with Doors
Page 20 – Hutch Style Bookcase

MUD ROOM PANEL

Page 21 – Decorative Panel with Coat Hooks, The “Farmhaus”

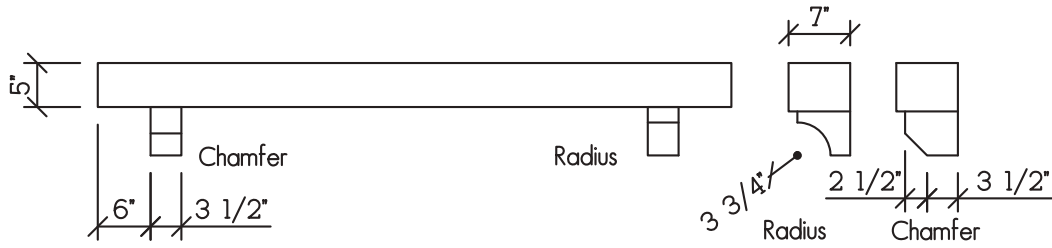
The Trusted Resource for Building Your Business.



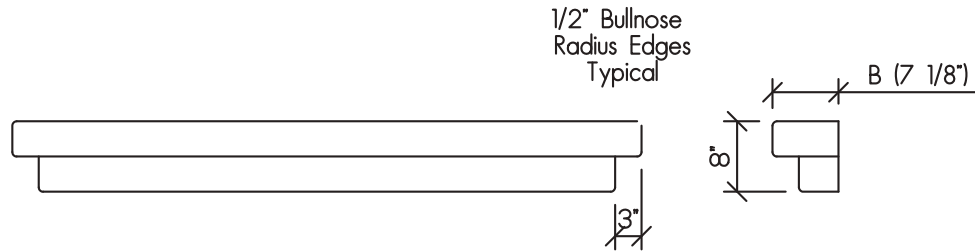
Kirkland Mill • 847-403-3310
101 West Main Street
Kirkland, IL 60146
www.HinesSupply.com

Custom Cedar Mantel Shelf

"The Northwest Shelf"



"The Southwest Shelf"



"The Savanna Plains"



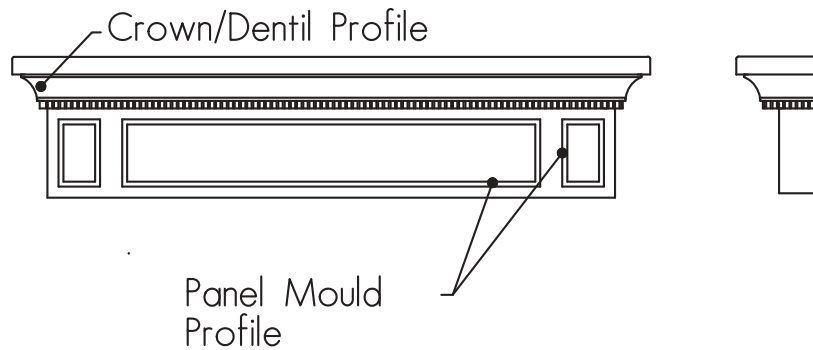
Please specify overall length of shelf top
Please specify species of material desired



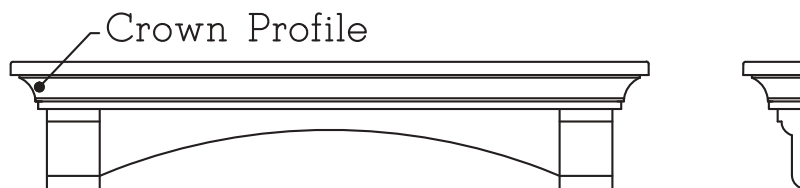
Kirkland Mill • 847-403-3310
101 West Main Street
Kirkland, IL 60146
www.HinesSupply.com

**Custom Mantel Shelf With Dentil
and Crown Applied Panel Mould**

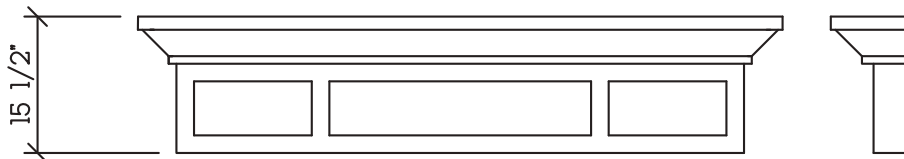
"The Plantation"



"The Auburn Shelf"



"The Shakerton"



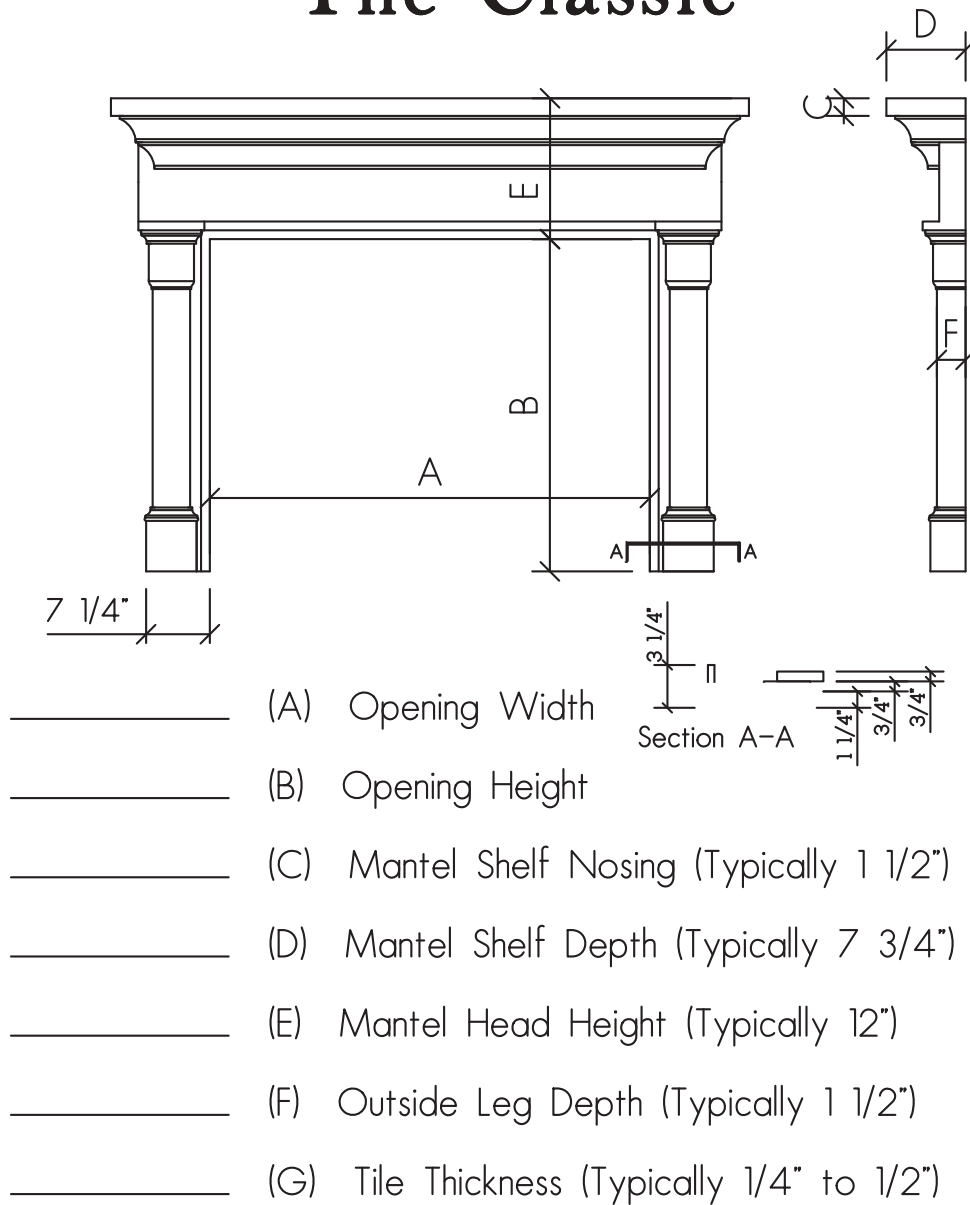
Please specify overall length of shelf top
Please specify species of material desired



Kirkland Mill • 847-403-3310
101 West Main Street
Kirkland, IL 60146
www.HinesSupply.com

Mantels / Surrounds - The Classic

"The Classic"

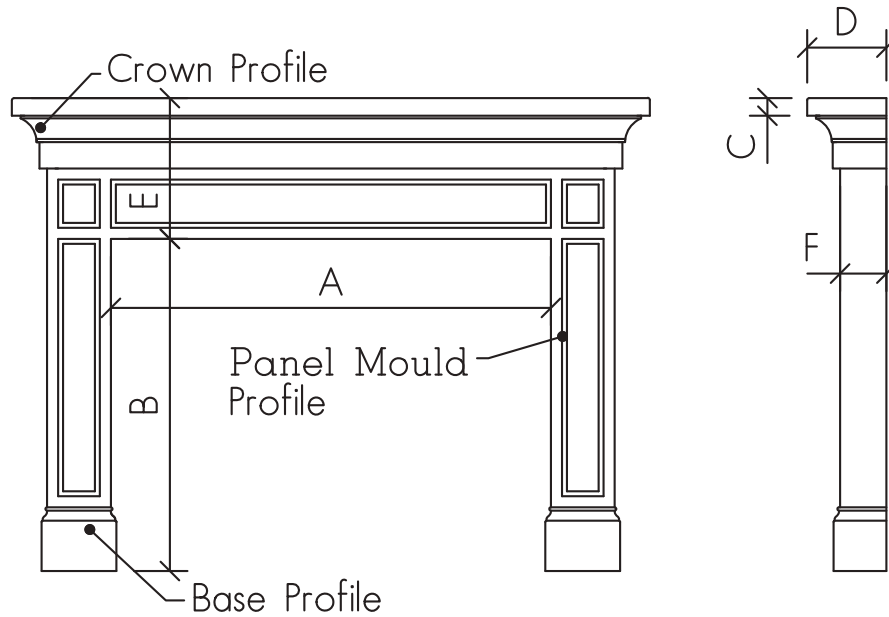




Kirkland Mill • 847-403-3310
101 West Main Street
Kirkland, IL 60146
www.HinesSupply.com

Mantels / Surrounds - The Kirkland

"The Kirkland"



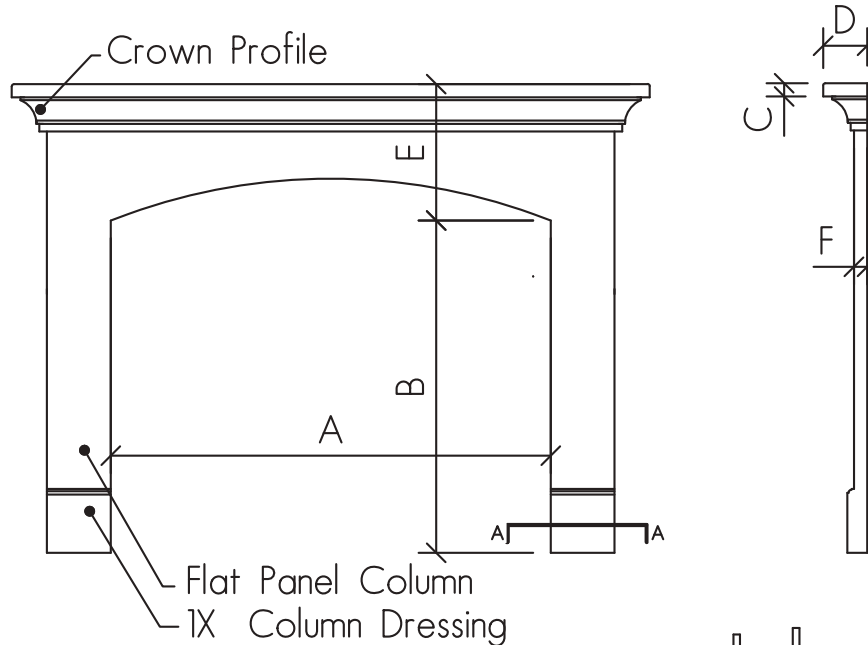
- _____ (A) Opening Width
- _____ (B) Opening Height
- _____ (C) Mantel Shelf Nosing (Typically 1 1/2")
- _____ (D) Mantel Shelf Depth (Typically 7 3/4")
- _____ (E) Mantel Head Height (Typically 12")
- _____ (F) Outside Leg Depth (Typically 1 1/2")
- _____ (G) Tile Thickness (Typically 1/4" to 1/2")



Kirkland Mill • 847-403-3310
101 West Main Street
Kirkland, IL 60146
www.HinesSupply.com

Mantels / Surrounds - The Sterling

"The Sterling"



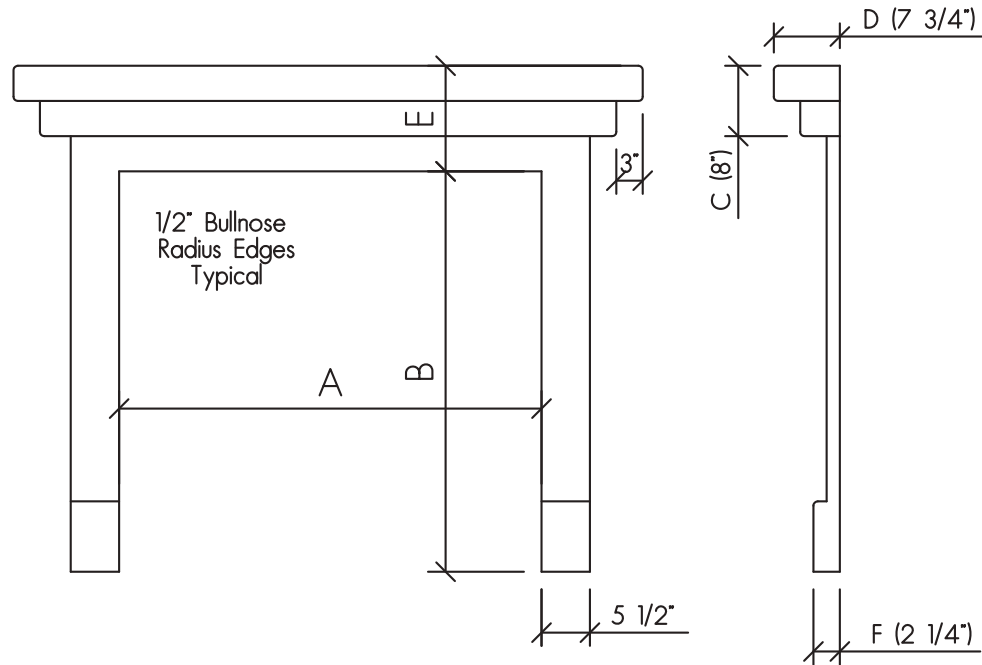
- _____ (A) Opening Width
- _____ (B) Opening Height
- _____ (C) Mantel Shelf Nosing (Typically 1 1/2")
- _____ (D) Mantel Shelf Depth (Typically 7 3/4")
- _____ (E) Mantel Head Height (Typically 12")
- _____ (F) Outside Leg Depth (Typically 1 1/2")
- _____ (G) Tile Thickness (Typically 1/4" to 1/2")



Kirkland Mill • 847-403-3310
101 West Main Street
Kirkland, IL 60146
www.HinesSupply.com

**Mantels / Surrounds -
The Southwest**

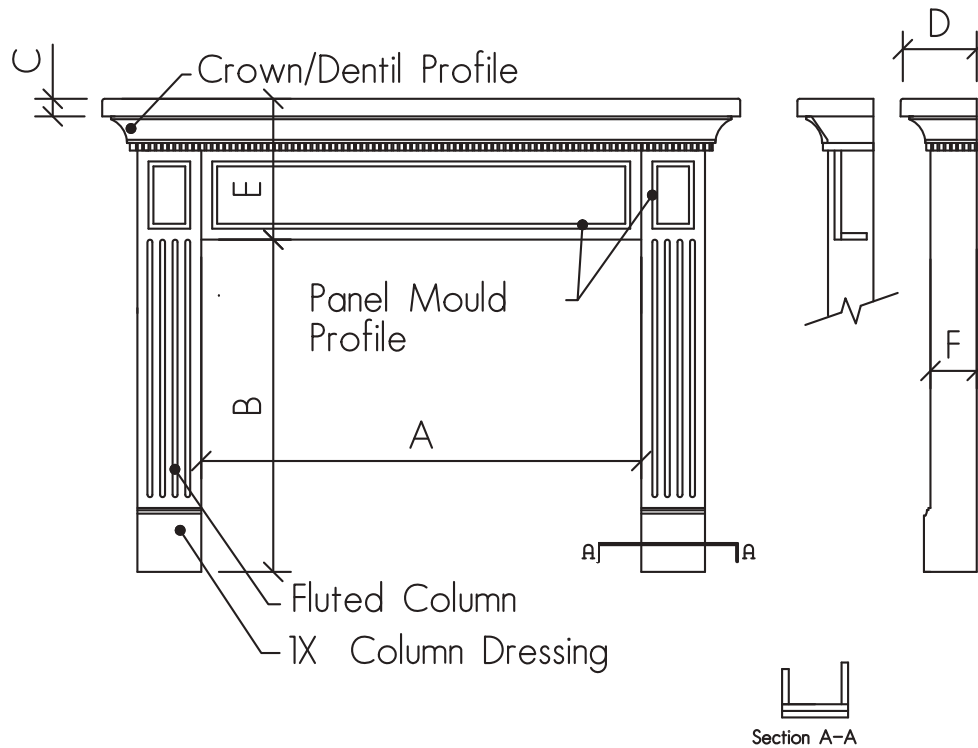
"The Southwest"



- _____ (A) Opening Width
- _____ (B) Opening Height
- _____ (C) Mantel Shelf Nosing
- _____ (D) Mantel Shelf Depth (Typically 7 3/4")
- _____ (E) Mantel Head Height (Typically 12")
- _____ (F) Outside Leg Depth (Typically 2 1/4")
- _____ (G) Tile Thickness (Typically 1/4" to 1/2")



"The Plantation"



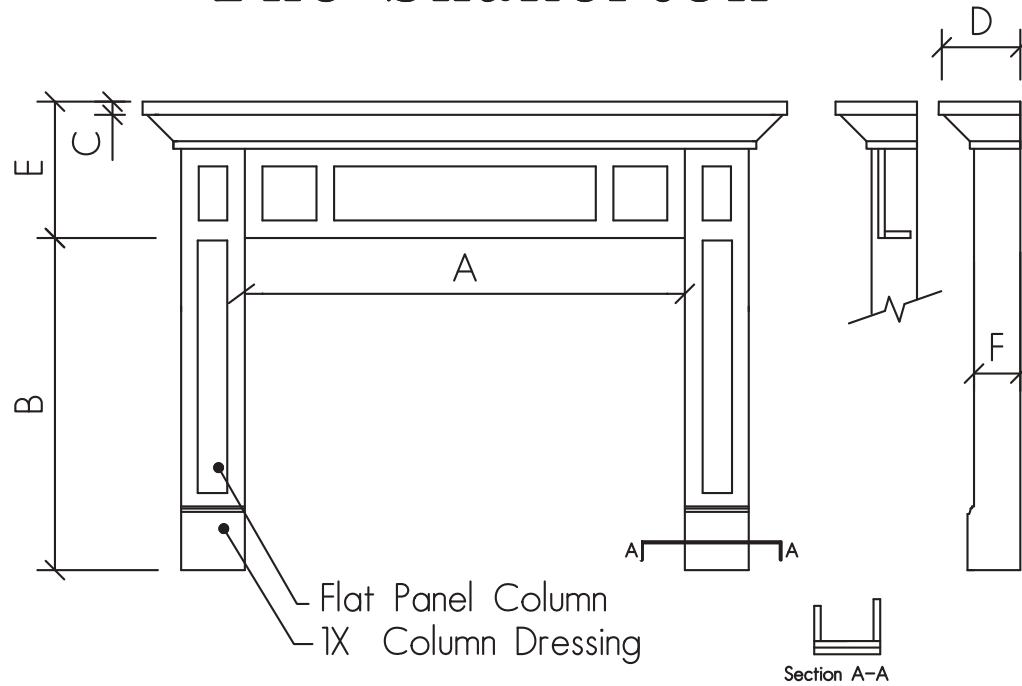
- _____ (A) Opening Width
- _____ (B) Opening Height
- _____ (C) Mantel Shelf Nosing
- _____ (D) Mantel Shelf Depth (Typically 7 3/4")
- _____ (E) Mantel Head Height (Typically 12")
- _____ (F) Outside Leg Depth (Typically 1 1/2")
- _____ (G) Tile Thickness (Typically 1/4" to 1/2")



Kirkland Mill • 847-403-3310
101 West Main Street
Kirkland, IL 60146
www.HinesSupply.com

Mantels / Surrounds - The Shakerton

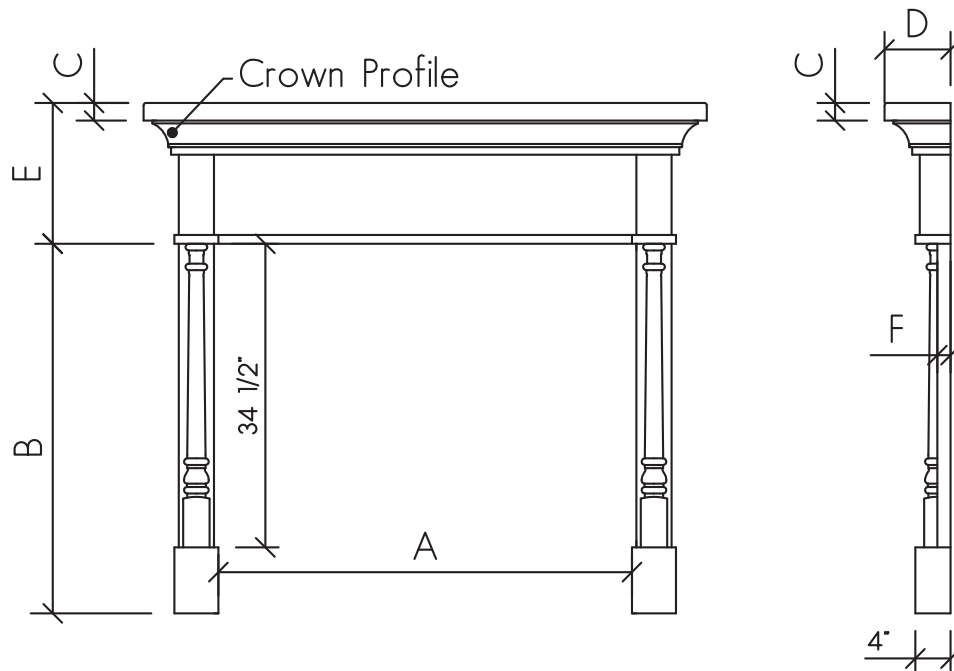
"The Shakerton"



- _____ (A) Opening Width
- _____ (B) Opening Height
- _____ (C) Mantel Shelf Nosing
- _____ (D) Mantel Shelf Depth (Typically 7 3/4")
- _____ (E) Mantel Head Height (Typically 12")
- _____ (F) Outside Leg Depth (Typically 1 1/2")
- _____ (G) Tile Thickness (Typically 1/4" to 1/2")



"The Belle"



- _____ (A) Opening Width
- _____ (B) Opening Height
- _____ (C) Mantel Shelf Nosing
- _____ (D) Mantel Shelf Depth (Typically 7 3/4")
- _____ (E) Mantel Head Height (Typically 12")
- _____ (F) Outside Leg Depth (Typically 1 1/2")
- _____ (G) Tile Thickness (Typically 1/4" to 1/2")



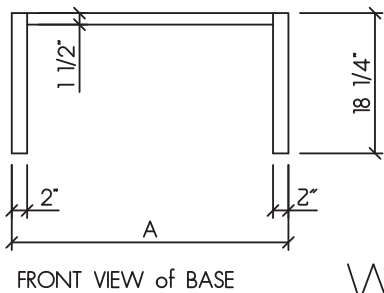
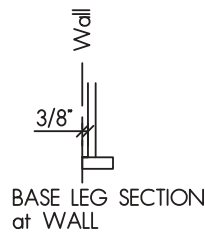
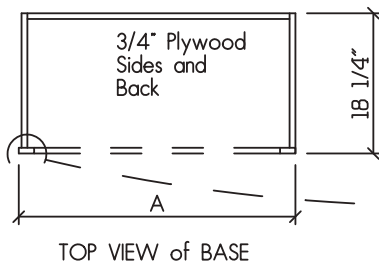
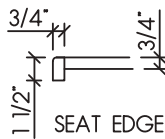
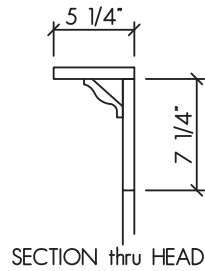
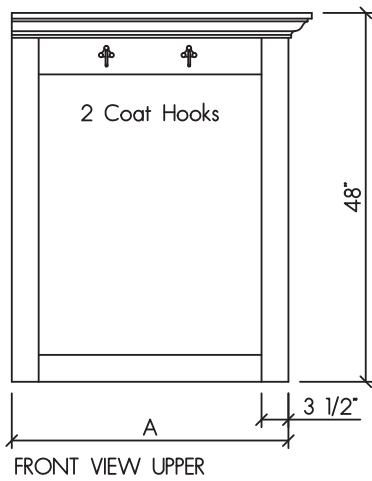
Kirkland Mill • 847-403-3310
101 West Main Street
Kirkland, IL 60146
www.HinesSupply.com

Boot Benches - Up to 48" Width, Single

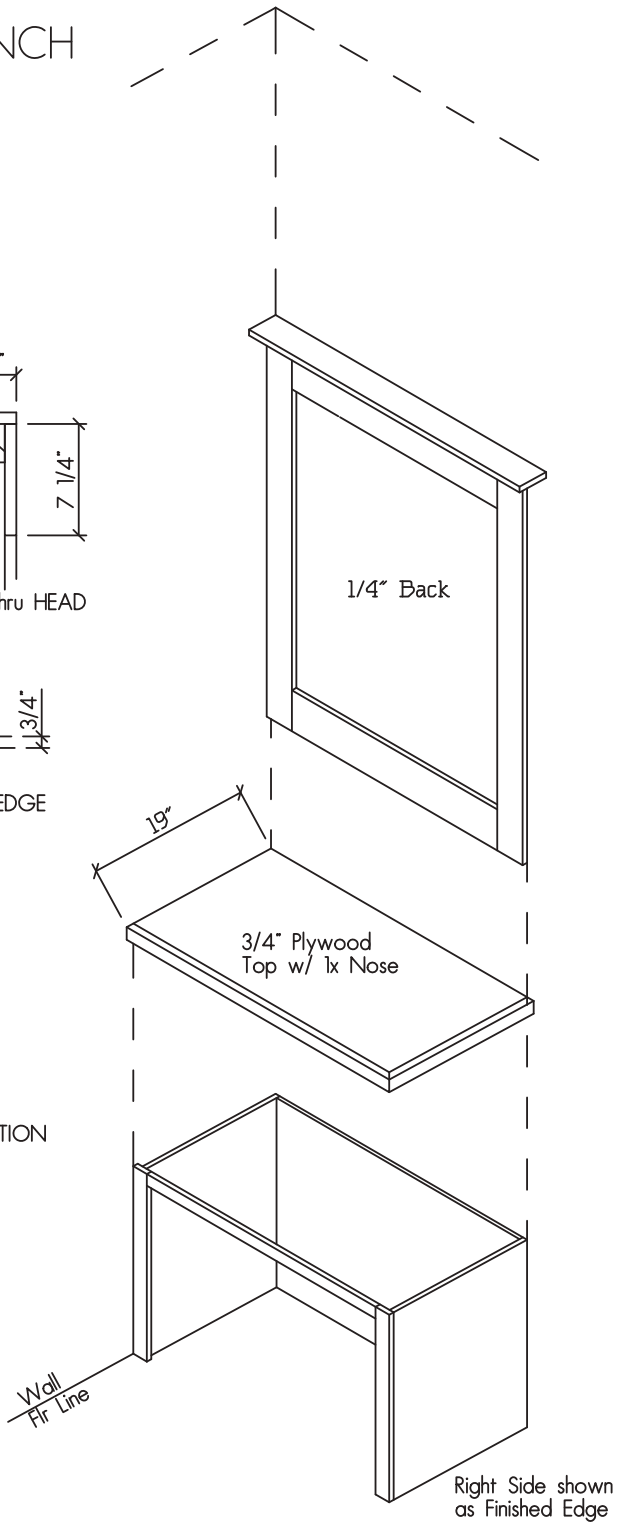
Up to 48" in width BOOT BENCH

Material:

Finished End - Right or Left



Width "A"

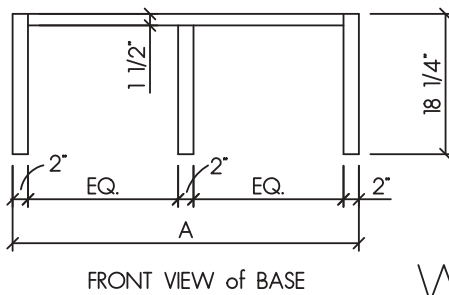
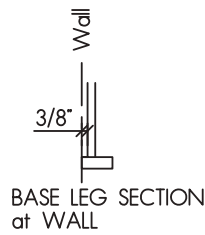
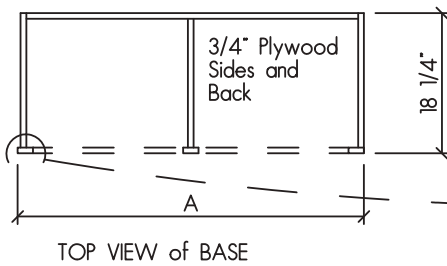
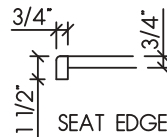
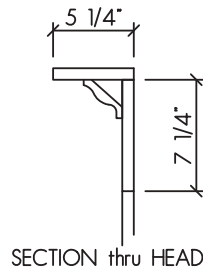
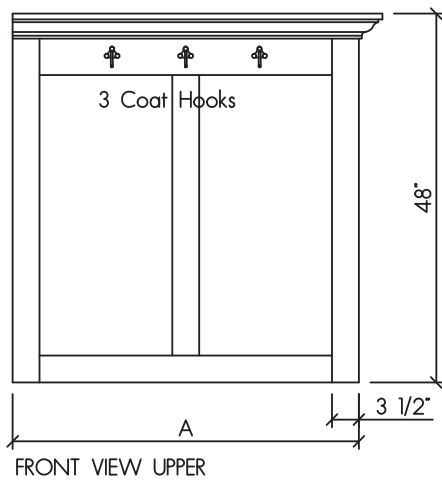




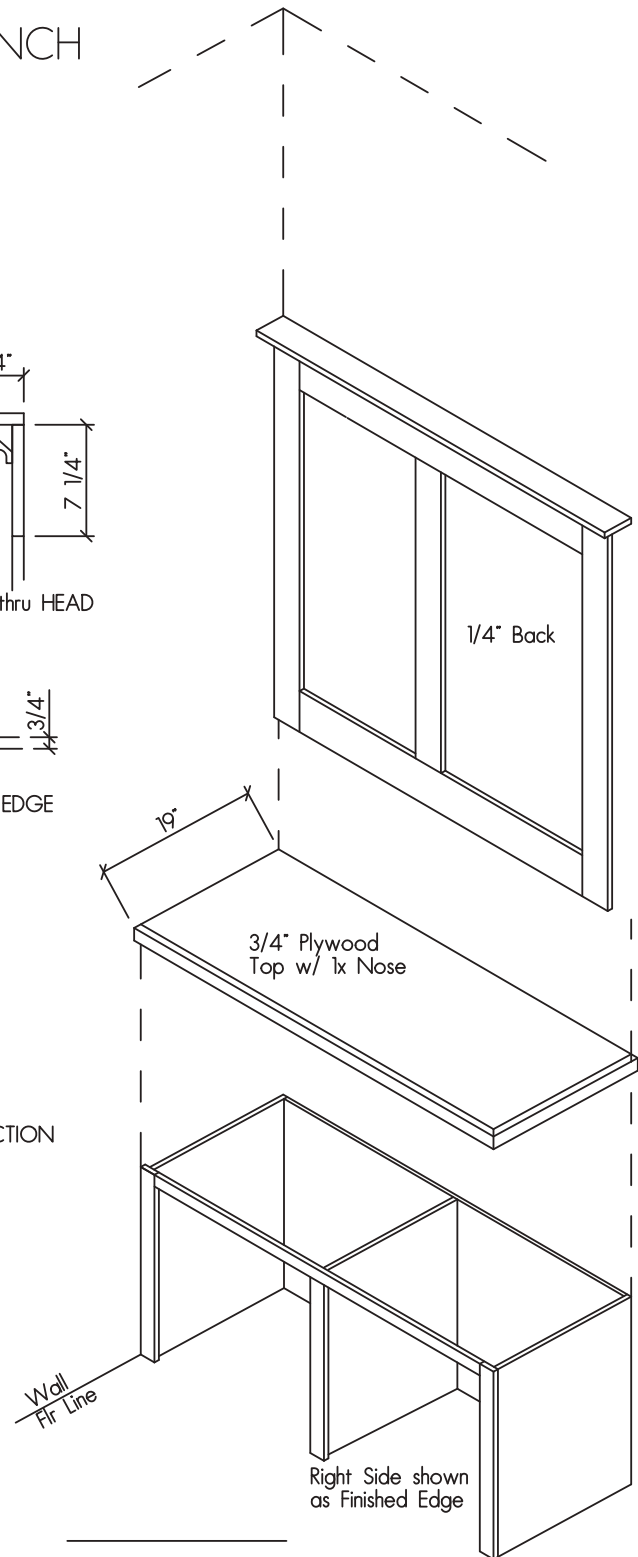
Kirkland Mill • 847-403-3310
101 West Main Street
Kirkland, IL 60146
www.HinesSupply.com

Boot Benches - Up to 60" Width, Double

Up to 60" in width BOOT BENCH
Material:
Finished End - Right or Left



Width "A"

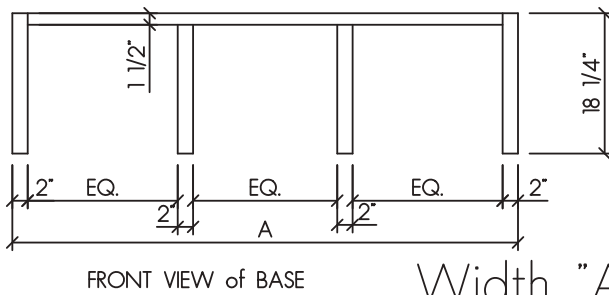
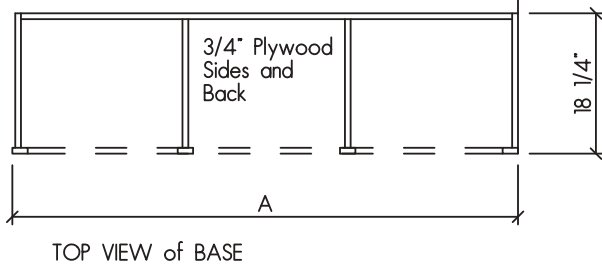
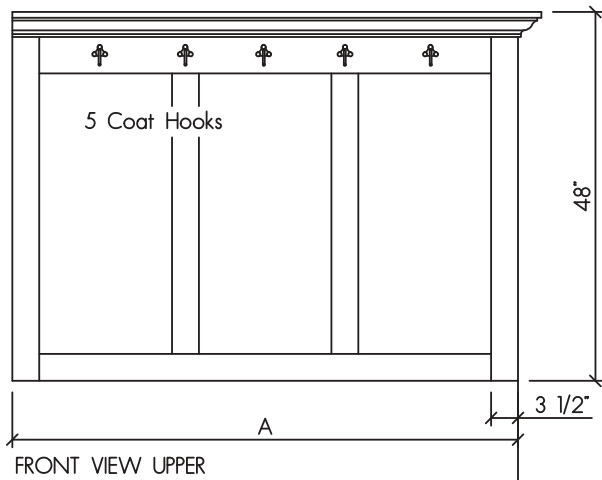




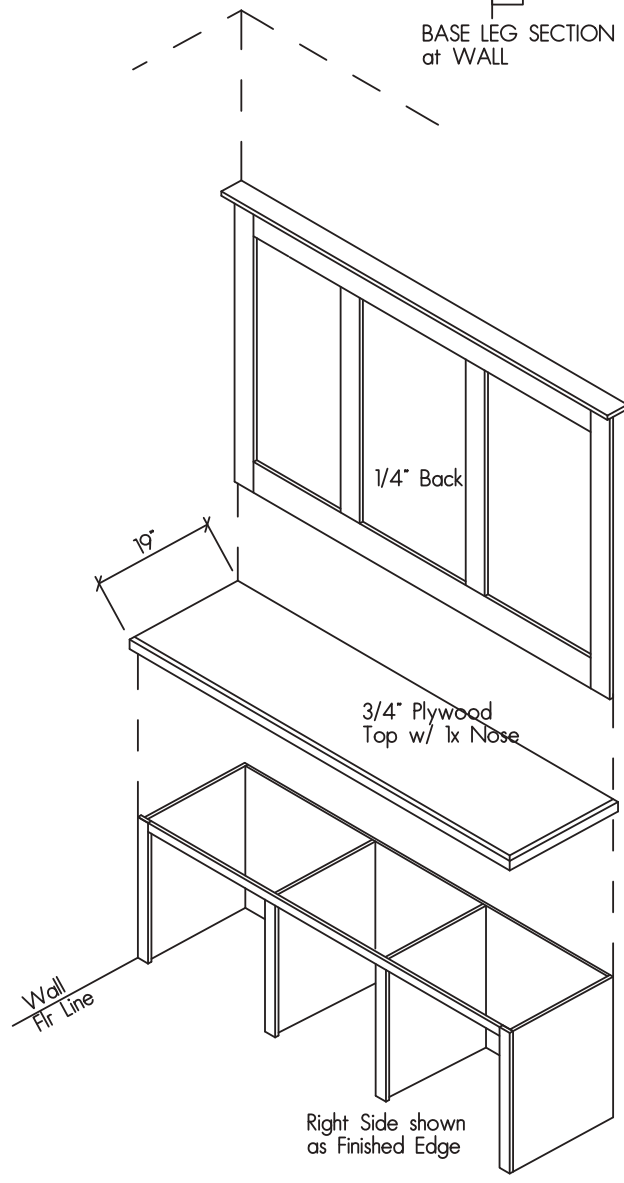
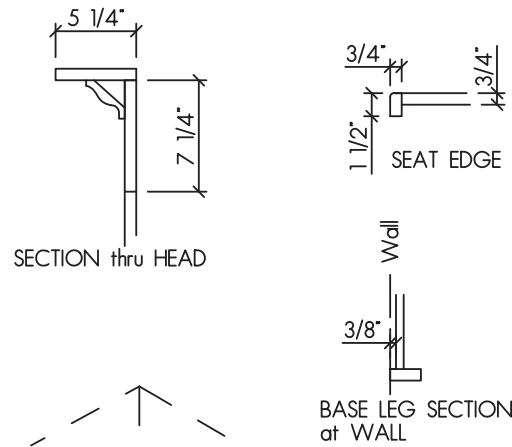
Kirkland Mill • 847-403-3310
101 West Main Street
Kirkland, IL 60146
www.HinesSupply.com

Boot Benches - Up to 60" Width, Triple

Up to 72" in width BOOT BENCH
Material:
Finished End - Right or Left



Width "A"

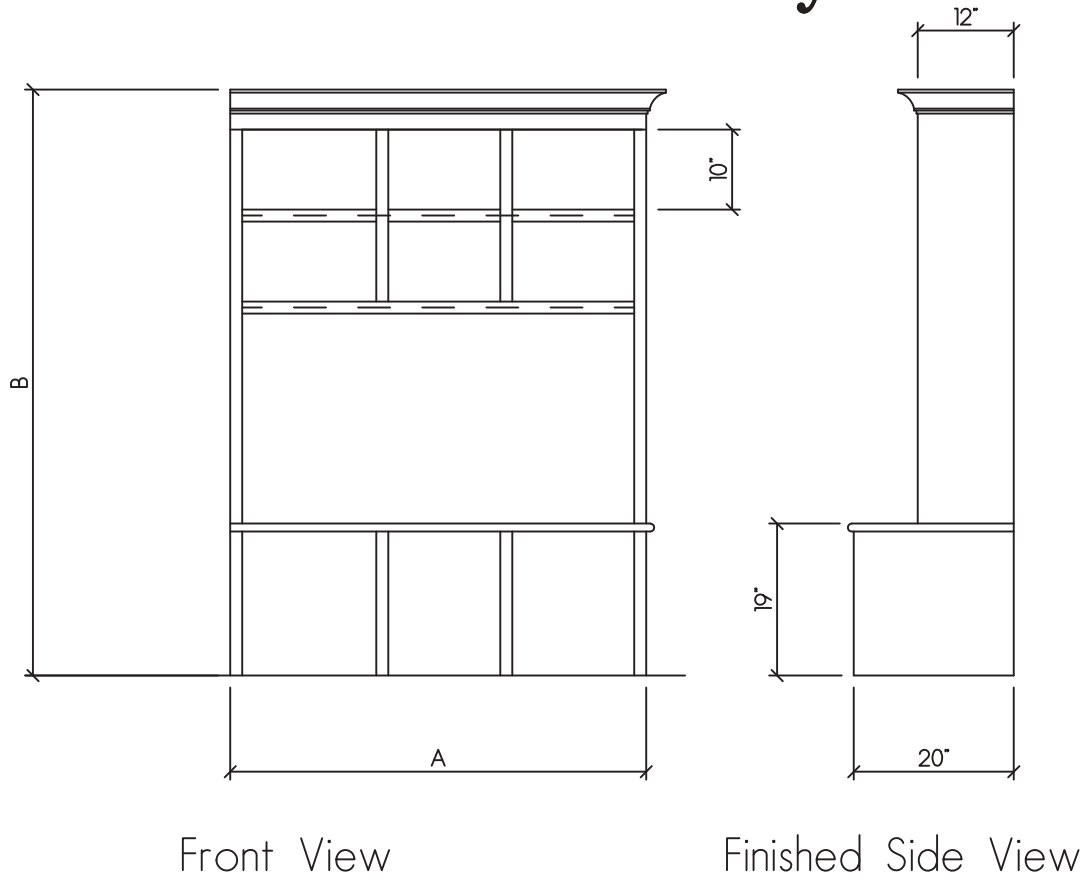




Kirkland Mill • 847-403-3310
101 West Main Street
Kirkland, IL 60146
www.HinesSupply.com

Cubbies - Double Box

"Double Box Cubby"



Width "A" _____

Height "B" _____

Desired # Bays _____

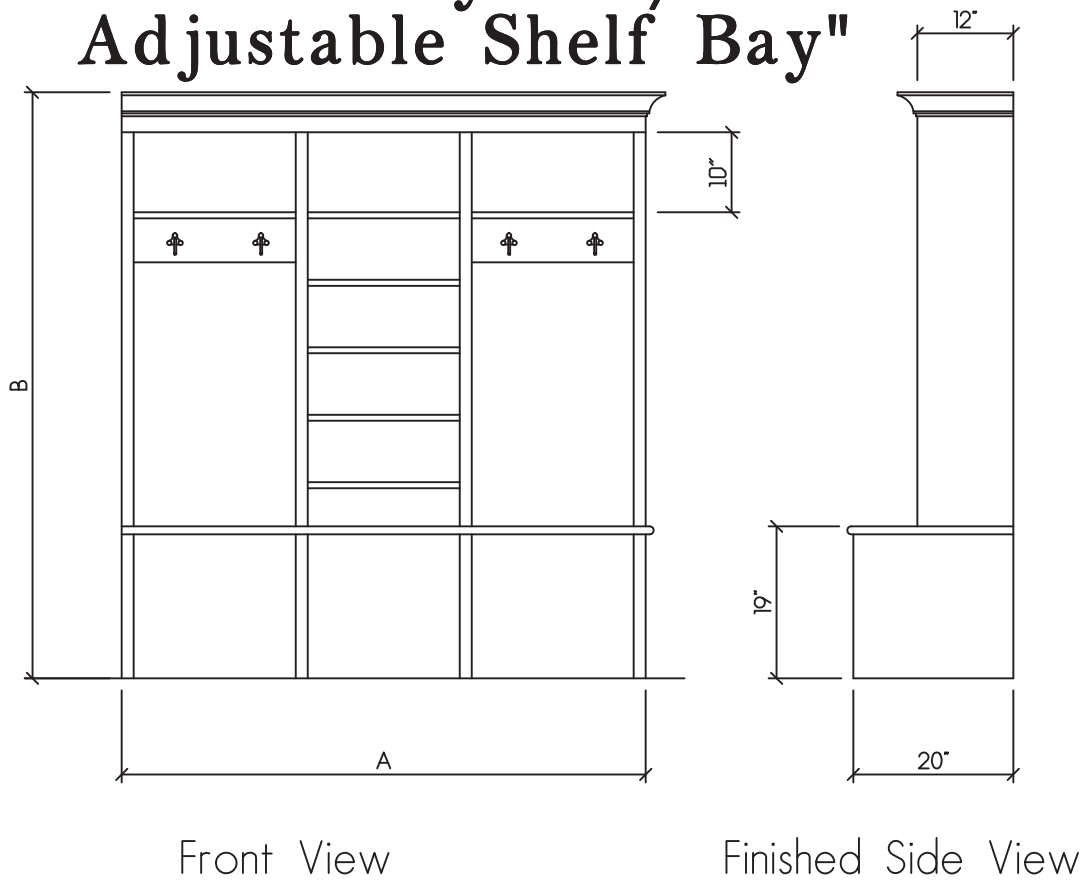
Desired # Hooks per Bay _____



Kirkland Mill • 847-403-3310
 101 West Main Street
 Kirkland, IL 60146
www.HinesSupply.com

**Cubbies - Locker Style
 with Adjustable Shelf Bay**

"Locker Style w/ Adjustable Shelf Bay"



Width "A" _____

Height "B" _____

Desired # Bays _____

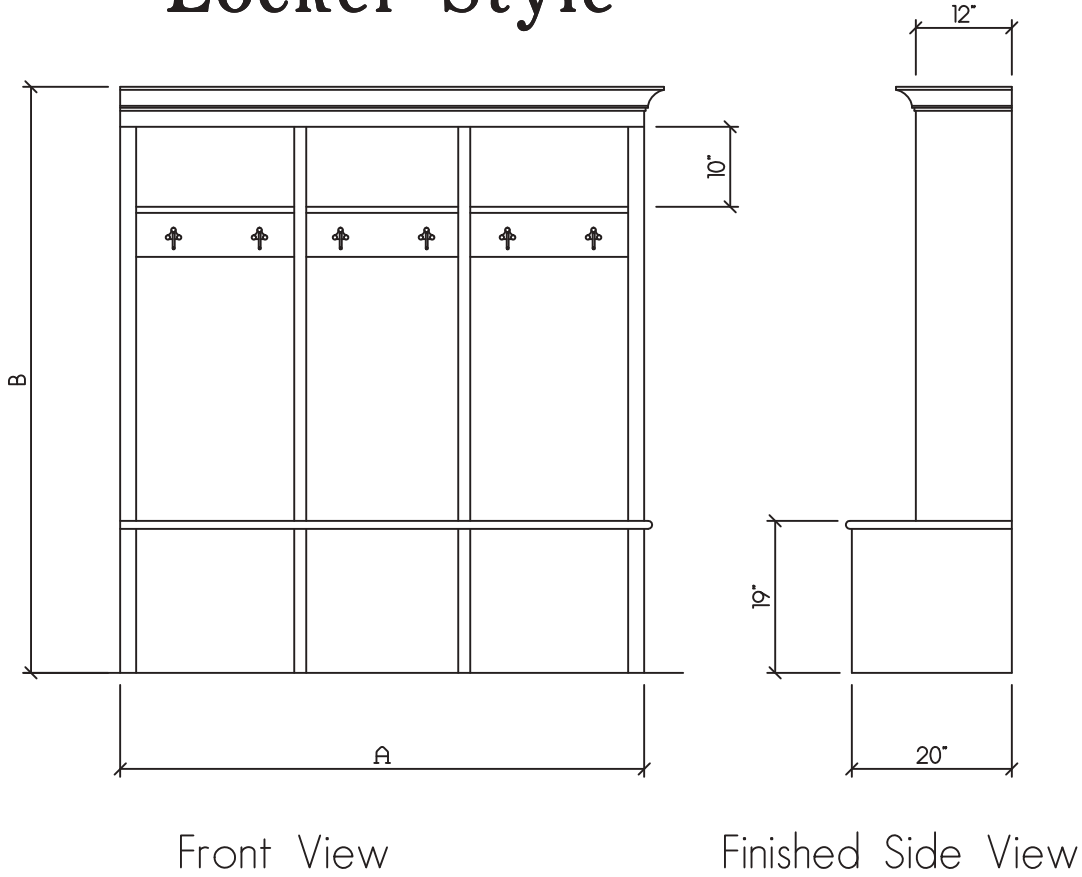
Desired # Hooks per Bay _____



Kirkland Mill • 847-403-3310
 101 West Main Street
 Kirkland, IL 60146
www.HinesSupply.com

Cubbies - Locker Style

"Locker Style"



Width "A" _____

Height "B" _____

Desired # Bays _____

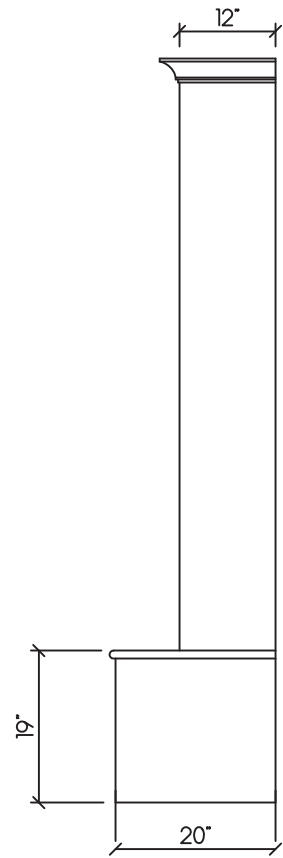
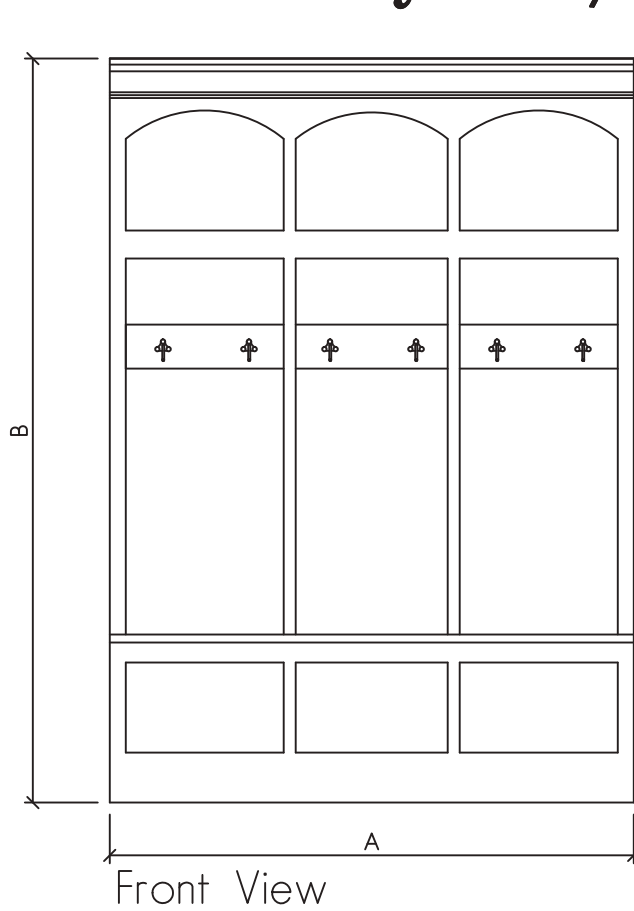
Desired # Hooks per Bay _____



Kirkland Mill • 847-403-3310
101 West Main Street
Kirkland, IL 60146
www.HinesSupply.com

**Cubbies - Locker Style
with Arched Head**

"Locker Style w/ Arched Head"



Width "A" _____

Height "B" _____

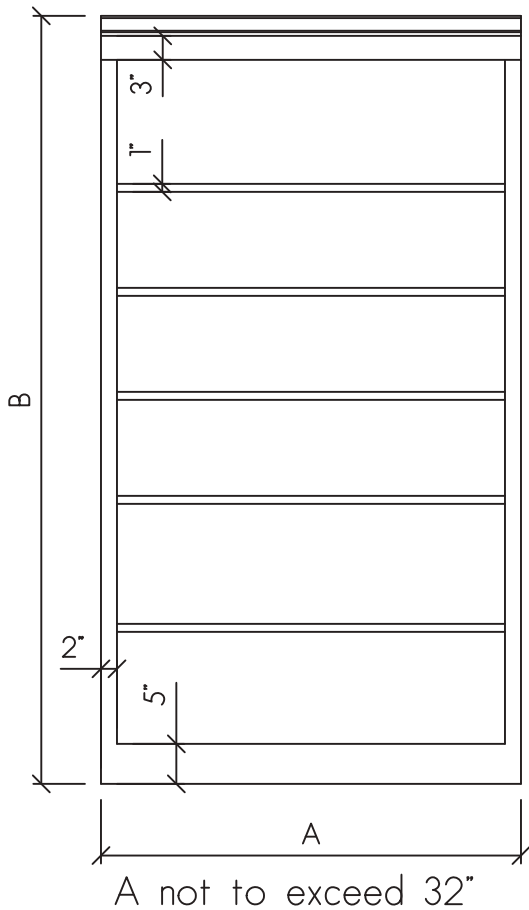
Desired # Bays _____

Desired # Hooks per Bay _____

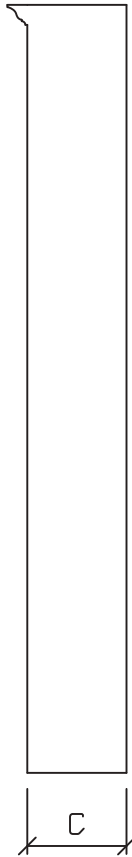


Kirkland Mill • 847-403-3310
 101 West Main Street
 Kirkland, IL 60146
www.HinesSupply.com

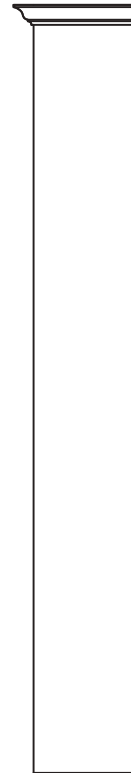
Bookcases - Single Bay



SIDE ELEVATION
Blind End Panel



SIDE ELEVATION
Finished End Panel



FRONT ELEVATION

Width "A" _____

Height "B" _____

Depth "C" _____

Shelves _____

Scribe Right Left None

Finished Side Right Left None

Bookcase
 2" Face Frame
 Sides machined for 1/4" Shelf Pins
 Smooth Panel Back
 3 1/2" Crown Head - Shipped Loose
 Shelf Pins supplied for # Shelves ordered

Scribe Available Each Side
 Finished Sides Available



Kirkland Mill • 847-403-3310
 101 West Main Street
 Kirkland, IL 60146
www.HinesSupply.com

Bookcases - Double Bay



FRONT ELEVATION

Width "A" _____

Height "B" _____

Depth "C" _____

Shelves _____

Scribe Right Left None

Finished Side Right Left None

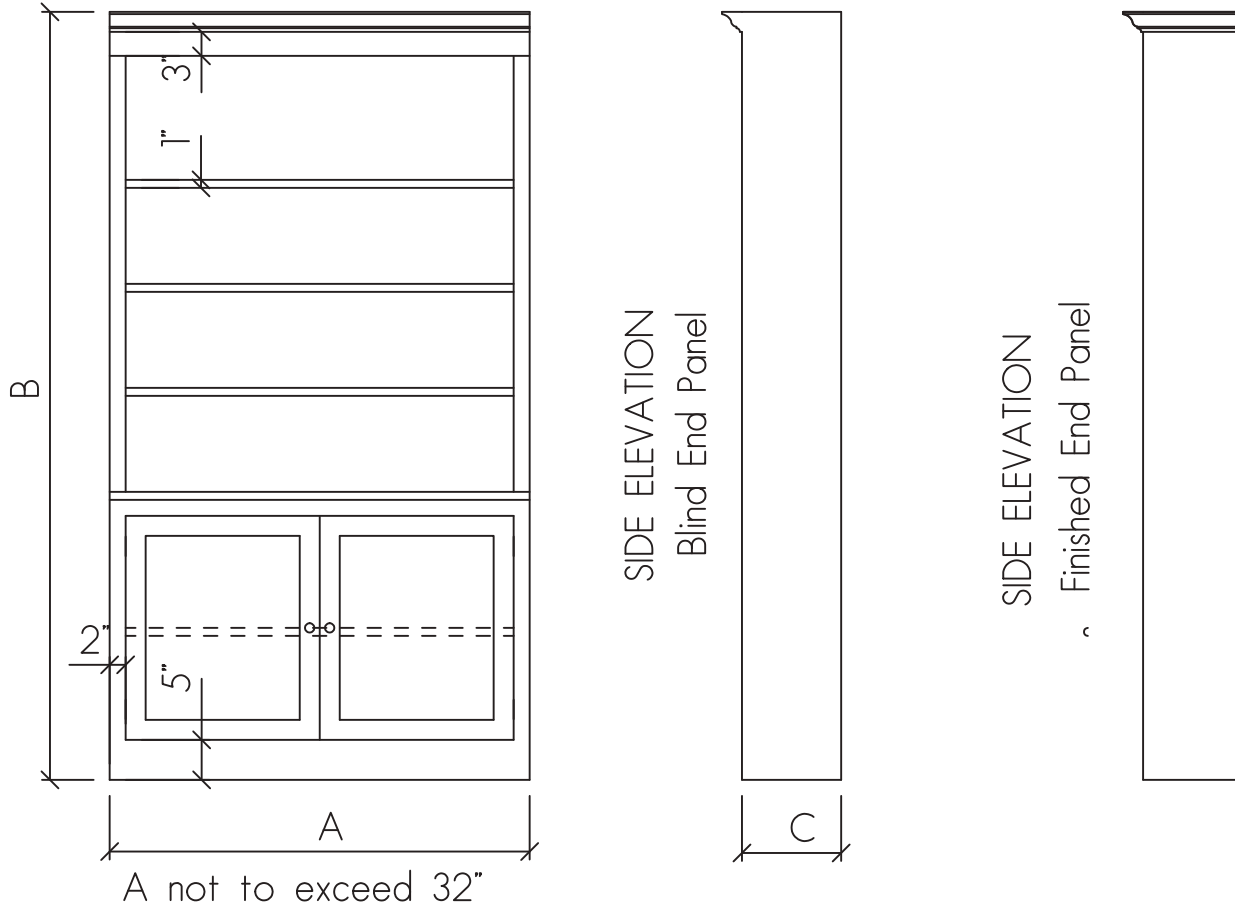
Bookcase
 2" Face Frame
 Sides machined for 1/4" Shelf Pins
 Smooth Panel Back
 3 1/2" Crown Head - Shipped Loose
 Shelf Pins supplied for # Shelves ordered

Scribe Available Each Side
 Finished Sides Available



Kirkland Mill • 847-403-3310
 101 West Main Street
 Kirkland, IL 60146
www.HinesSupply.com

Bookcases with Doors



FRONT ELEVATION

Width "A" _____

Height "B" _____

Depth "C" _____

Shelves _____

Scribe Right Left None

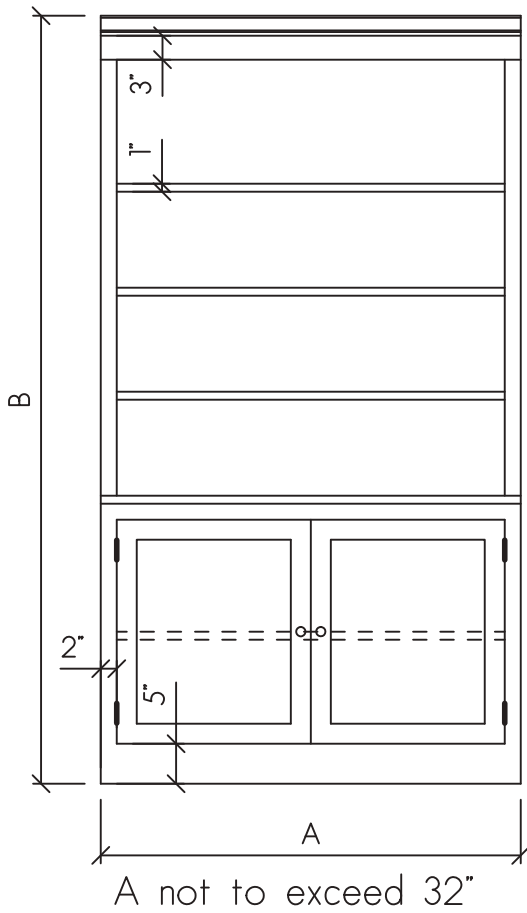
Finished Side Right Left None

Closed Base Style Bookcase
 Paint Grade Construction
 2" Face Frame
 Sides machined for 1/4" Shelf Pins
 Smooth Panel Back
 3 1/2" Crown Head – Shipped Loose
 Shelf Pins supplied for # Shelves ordered
 Scribe Available Each Side
 Finished Sides Available

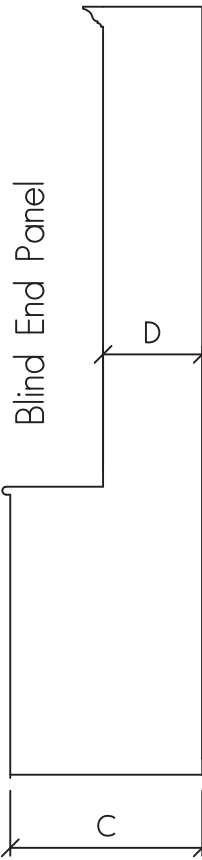


Kirkland Mill • 847-403-3310
 101 West Main Street
 Kirkland, IL 60146
www.HinesSupply.com

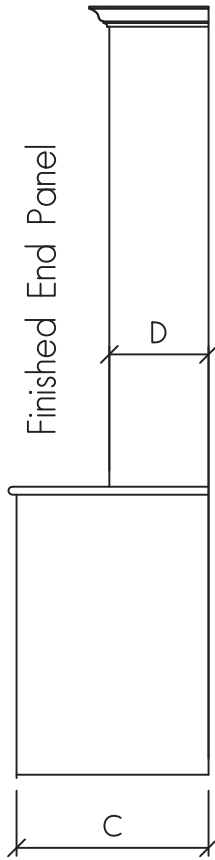
Hutch Style Bookcases



SIDE ELEVATION



SIDE ELEVATION



FRONT ELEVATION

Width "A" _____
 Height "B" _____
 Depth "C" _____
 Depth "D" _____
 # Shelves _____

Closed Base Style Bookcase
 Paint Grade Construction
 2" Face Frame
 Sides machined for 1/4" Shelf Pins
 Smooth Panel Back
 Flat Panel Doors - No Mortise Hinges
 3 1/2" Crown Head - Shipped Loose
 Shelf Pins supplied for # Shelves ordered
 Scribe Available Each Side
 Finished Sides Available

Scribe Right Left None

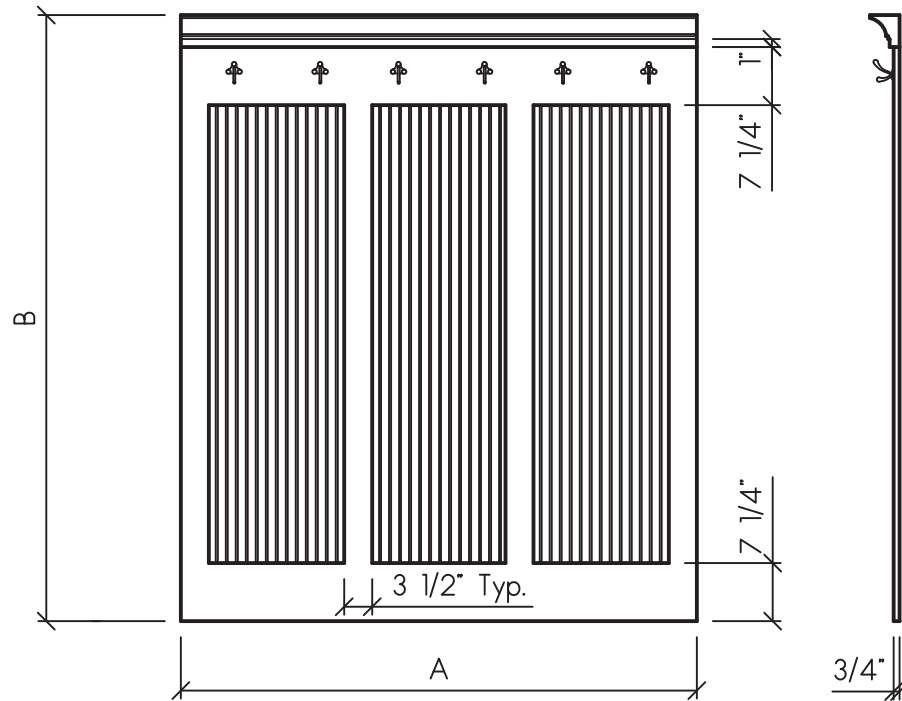
Finished Side Right Left None



Kirkland Mill • 847-403-3310
101 West Main Street
Kirkland, IL 60146
www.HinesSupply.com

Mud Room Panel - The "Farmhaus"

The "Farmhaus"



Front View

A Decorative Panel featuring solid wood face frame, bead board panels, crown head and coat hooks. This is perfect to dress up the mud room. This panel is intended to extend from wall to wall.

Width "A" _____

Height "B" _____

Desired # Panels _____

Desired # Hooks per Panel _____